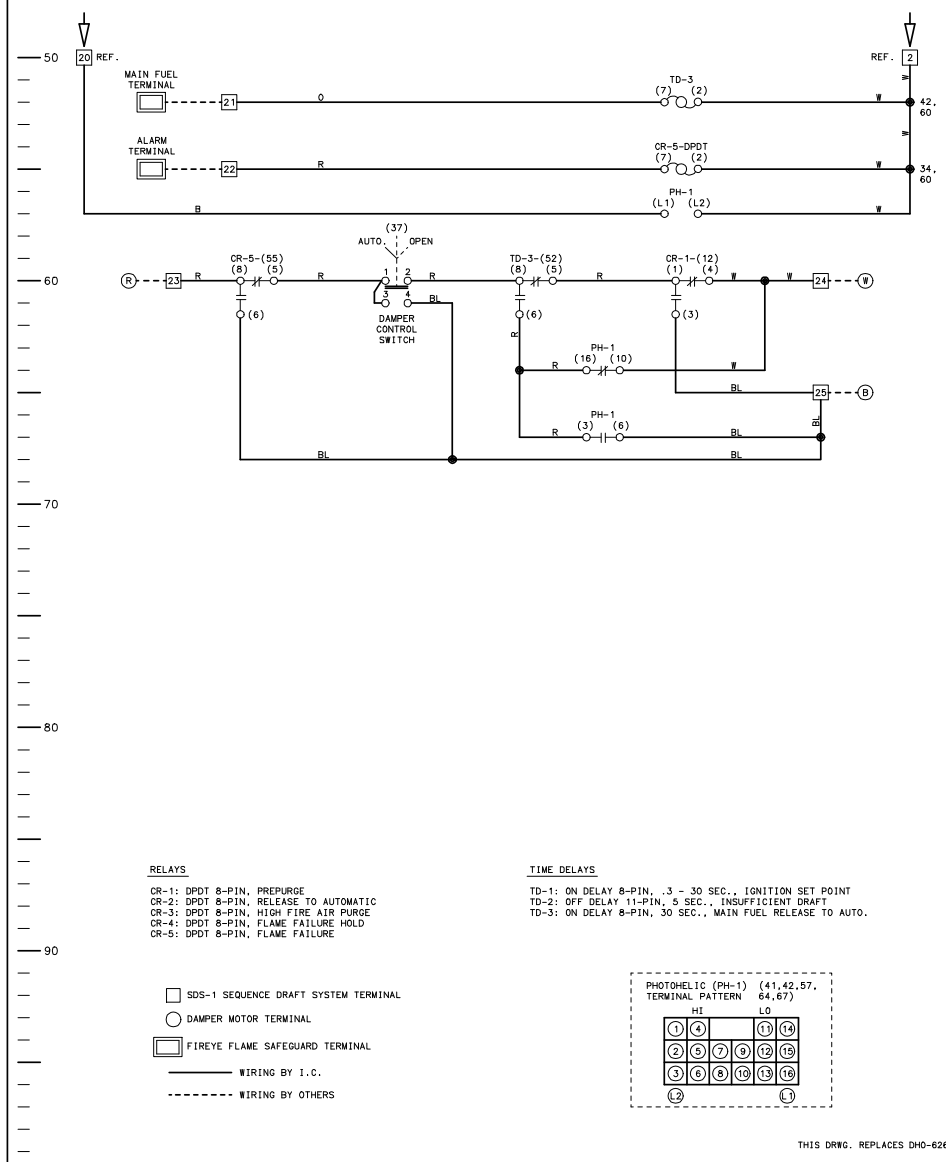
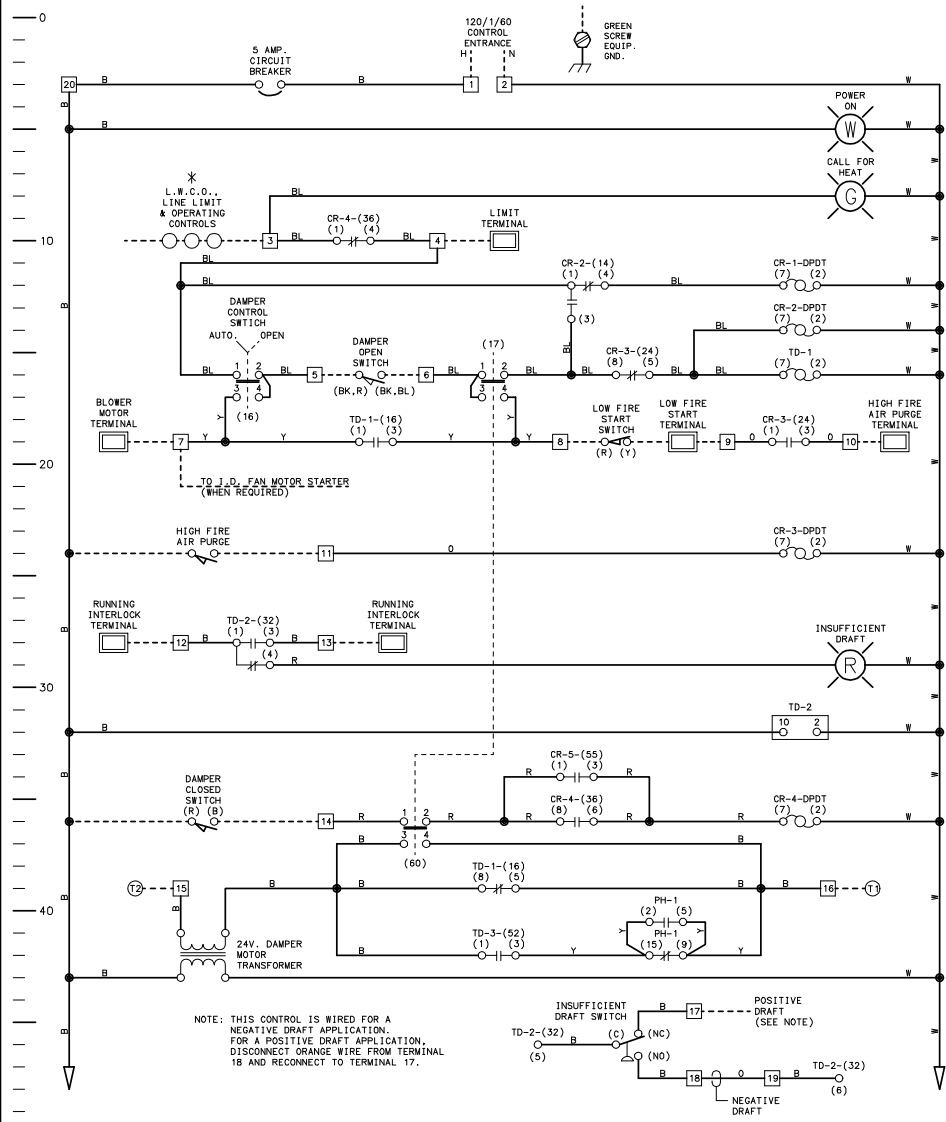


THIS DRAWING IS THE PROPERTY OF INDUSTRIAL COMBUSTION.
IT IS SUBJECT TO CHANGE WITHOUT NOTICE, AND IS NOT TO BE COPIED OR USED IN ANY WAY DETRIMENTAL TO THE COMPANY.



WARNING: THESE DRAWINGS ARE TO BE USED ONLY IN CONNECTION WITH EQUIPMENT COMPLYING IN ALL RESPECTS WITH THE ORIGINAL MANUFACTURER'S SPECIFICATIONS. INSTALLER SHOULD INSPECT EQUIPMENT AND ASCERTAIN COMPLIANCE WITH ORIGINAL MANUFACTURER'S SPECIFICATIONS BEFORE USING THESE DRAWINGS. DO NOT USE THESE DRAWINGS IF THE EQUIPMENT HAS BEEN MODIFIED, SUCH USE MAY CAUSE EQUIPMENT FAILURE OR MALFUNCTION WHICH MAY RESULT IN ELECTRICAL OR MECHANICAL DAMAGE TO THE EQUIPMENT OR PERSONAL INJURY. THESE DRAWINGS ARE THE PROPERTY OF INDUSTRIAL COMBUSTION AND ARE NOT TO BE COPIED OR USED IN ANY WAY DETRIMENTAL TO THE COMPANY. THESE DRAWINGS ARE NOT TO BE USED IN CONNECTION WITH EQUIPMENT WHICH DOES NOT COMPLY IN ALL RESPECTS WITH THE MANUFACTURER'S ORIGINAL SPECIFICATIONS.

REVISIONS

REV	DATE	BY	DESCRIPTION
01	10/28/96	JK	ISSUE FOR PRODUCTION
02	10/28/96	JK	ISSUE FOR PRODUCTION
03	10/28/96	JK	ISSUE FOR PRODUCTION

WIRE COLOR	SYMBOL	WIRE ALL CIRCUITS N.E.C. CLASS 1; NOT RESPONSIBLE FOR WIRING NOT INSTALLED AT THE FACTORY.	SCALE	DATE	OPTIONAL EQUIPMENT
YELLOW	Y			10/28/96	NOT FURNISHED UNLESS SPECIFIED IN CONTRACT.
ORANGE	O				
RED	R				
BLUE	BL	Q SUPPLEMENTARY LOW OVERCURRENT PROTECTION ONLY. FUSE NOT LARGER THAN IS AMP.			
WHITE	W				
BLACK	B				

SDS-1 SEQUENCE DRAFT SYSTEM LESS HIGH STACK TEMPERATURE INDICATOR	CC-120/1/60
---	-------------

PHOTOHELIC (PH-1) (41,42,57, TERMINAL PATTERN 64,67)	
HI	LO
1 4	11 14
2 5	12 15
3 6	13 16
7 8	17

THIS DRWG. REPLACES DHO-6262-04 WITH FIREYE CONTROL

IC INDUSTRIAL COMBUSTION
MONROE, WI

SIZE D DRWG. NO. 559 0045 C