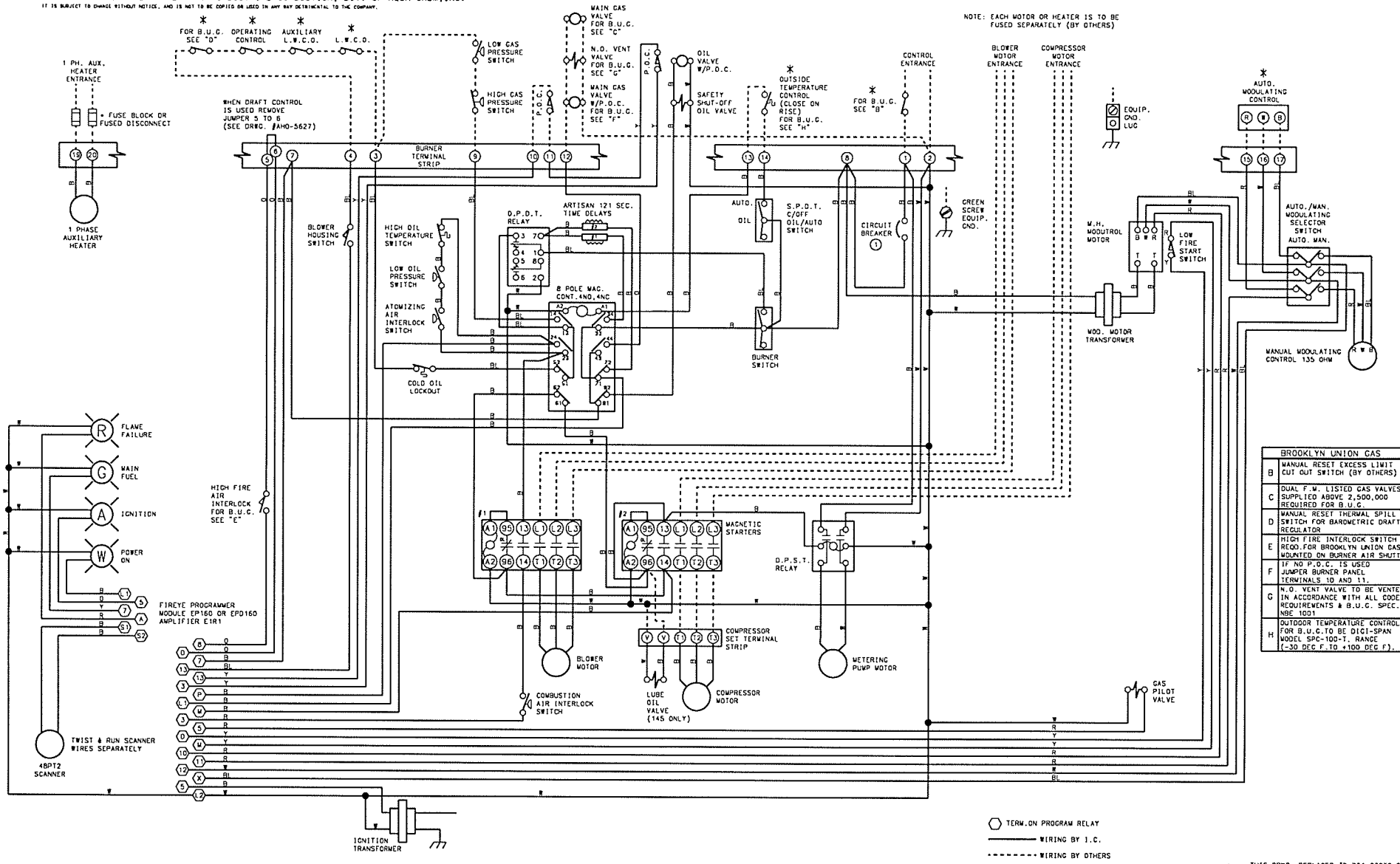


THIS DRAWING IS THE PROPERTY OF INDUSTRIAL COMBUSTION, DIV. OF AQUA-CHEM, INC.
 IF IS SUBJECT TO CHANGE WITHOUT NOTICE, AND IS NOT TO BE COPIED OR USED IN ANY WAY DETRIMENTAL TO THE COMPANY.

NOTE: EACH MOTOR OR HEATER IS TO BE FUSED SEPARATELY (BY OTHERS)



BROOKLYN UNION GAS	
B	MANUAL RESET EXCESS LIMIT CUT OUT SWITCH (BY OTHERS)
C	DUAL F.W. LISTED GAS VALVES SUPPLIED ABOVE 2,500,000 BTU/HOUR REQUIRED FOR B.U.G.
D	MANUAL RESET THERMAL SPILL SWITCH FOR BAROMETRIC DRAFT REGULATOR
E	HIGH FIRE INTERLOCK SWITCH REQ'D FOR BROOKLYN UNION GAS MOUNTED ON BURNER AIR SHUTTER
F	IF NO P.D.C. IS USED JUMPER BURNER PANEL TERMINALS 10 AND 11.
G	N.O. VENT VALVE TO BE VENTED IN ACCORDANCE WITH ALL CODE REQUIREMENTS & B.U.G. SPEC. NOE 1001
H	OUTDOOR TEMPERATURE CONTROL FOR B.U.G. TO BE DICI-SPAN MODEL SPC-100-T, RANGE (-30 DEG. F. TO +100 DEG. F.)

○ TERM.ON PROGRAM RELAY
 — WIRING BY I.C.
 - - - - - WIRING BY OTHERS

THIS DRWG. REPLACES #D-731-06039-04

WARNING: THESE DRAWINGS ARE TO BE USED ONLY IN CONNECTION WITH EQUIPMENT SPECIFICATIONS. INSTALLER SHOULD INSPECT EQUIPMENT AND ASCERTAIN COMPLIANCE WITH ORIGINAL MANUFACTURER'S SPECIFICATIONS. SUCH USE MAY CAUSE EQUIPMENT FAILURE OR MALFUNCTION WHICH MAY RESULT IN ELECTRICAL SHOCK OR BURNS OR OTHER SPECIFIC INJURIES. INSTALLER SHOULD REFER TO THE MANUFACTURER'S ORIGINAL SPECIFICATIONS FOR ALL ELECTRICAL REQUIREMENTS. FROM USE OF THESE DRAWINGS IN CONNECTION WITH EQUIPMENT WHICH DOES NOT COMPLY WITH THE MANUFACTURER'S ORIGINAL SPECIFICATIONS.

REVISIONS 1. 04/01/94 2. 04/01/94 3. 04/01/94 4. 04/01/94 5. 04/01/94 6. 04/01/94 7. 04/01/94 8. 04/01/94 9. 04/01/94 10. 04/01/94 11. 04/01/94 12. 04/01/94 13. 04/01/94 14. 04/01/94 15. 04/01/94 16. 04/01/94 17. 04/01/94 18. 04/01/94 19. 04/01/94 20. 04/01/94 21. 04/01/94 22. 04/01/94 23. 04/01/94 24. 04/01/94 25. 04/01/94 26. 04/01/94 27. 04/01/94 28. 04/01/94 29. 04/01/94 30. 04/01/94 31. 04/01/94 32. 04/01/94 33. 04/01/94 34. 04/01/94 35. 04/01/94 36. 04/01/94 37. 04/01/94 38. 04/01/94 39. 04/01/94 40. 04/01/94 41. 04/01/94 42. 04/01/94 43. 04/01/94 44. 04/01/94 45. 04/01/94 46. 04/01/94 47. 04/01/94 48. 04/01/94 49. 04/01/94 50. 04/01/94 51. 04/01/94 52. 04/01/94 53. 04/01/94 54. 04/01/94 55. 04/01/94 56. 04/01/94 57. 04/01/94 58. 04/01/94 59. 04/01/94 60. 04/01/94 61. 04/01/94 62. 04/01/94 63. 04/01/94 64. 04/01/94 65. 04/01/94 66. 04/01/94 67. 04/01/94 68. 04/01/94 69. 04/01/94 70. 04/01/94 71. 04/01/94 72. 04/01/94 73. 04/01/94 74. 04/01/94 75. 04/01/94 76. 04/01/94 77. 04/01/94 78. 04/01/94 79. 04/01/94 80. 04/01/94 81. 04/01/94 82. 04/01/94 83. 04/01/94 84. 04/01/94 85. 04/01/94 86. 04/01/94 87. 04/01/94 88. 04/01/94 89. 04/01/94 90. 04/01/94 91. 04/01/94 92. 04/01/94 93. 04/01/94 94. 04/01/94 95. 04/01/94 96. 04/01/94 97. 04/01/94 98. 04/01/94 99. 04/01/94 100. 04/01/94	WIRE COLOR SYMBOL YELLOW Y ORANGE O RED R BLUE BL WHITE W BLACK B	WIRE ALL CIRCUITS W E C CLAS 1 NOT RESPONSIBLE FOR WIRING NOT INSTALLED AT THE FACTORY (D) SUPPLEMENTARY LOW OVERCURRENT PROTECTION ONLY FUSE NOT LARGER THAN 16 AMP	SCALE DATE 04/01/94 DRAWN C.J.B.	* OPTIONAL EQUIPMENT NOT FURNISHED UNLESS SPECIFIED IN CONTRACT	DEG-145, 175 LV-20B/3/60 CC-120/1/60	I.C. INDUSTRIAL COMBUSTION MONROE, WIS. DIVISION OF AQUA-CHEM, INC.	SIZE D DRWG. NO. 731 06039 05
---	---	---	--	---	--	--	-------------------------------