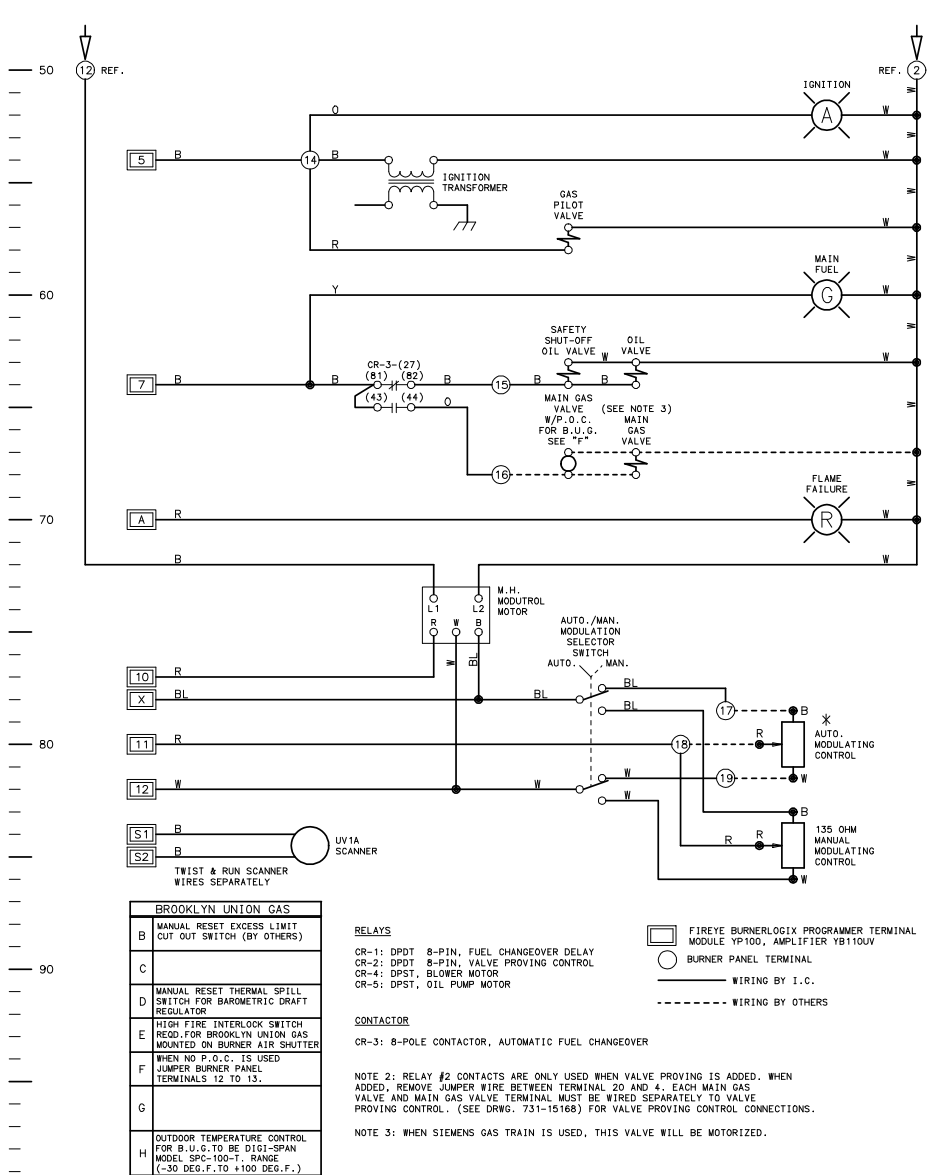
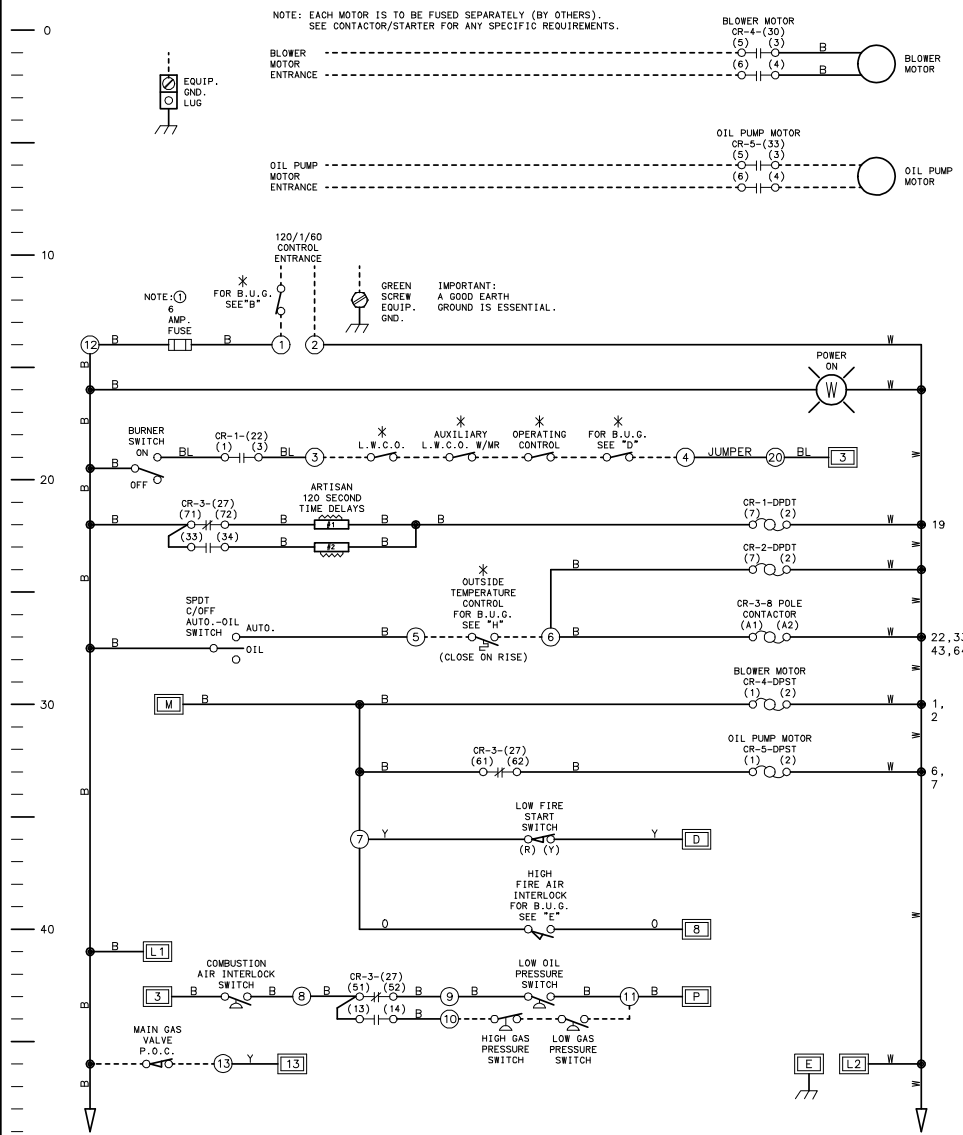


WARNING: THESE DRAWINGS ARE TO BE USED ONLY IN CONNECTION WITH EQUIPMENT COMPLYING IN ALL RESPECTS WITH THE ORIGINAL MANUFACTURER'S SPECIFICATIONS. INSTALLER SHOULD INSPECT EQUIPMENT AND ASCERTAIN COMPLIANCE WITH ORIGINAL MANUFACTURER'S SPECIFICATIONS BEFORE USING THESE DRAWINGS. DO NOT USE THESE DRAWINGS IF THE EQUIPMENT HAS BEEN MODIFIED, SUCH USE MAY CAUSE EQUIPMENT FAILURE OR MALFUNCTION WHICH MAY RESULT IN ELECTRICAL SHOCK OR BURNS OR OTHER SEVERE PERSONAL INJURY AND PROPERTY DAMAGE. INDUSTRIAL COMBUSTION DISCLAIMS ANY AND ALL LIABILITY FOR ANY INJURY OR DAMAGE, WHETHER DIRECT, INDIRECT, INCIDENTAL OR CONSEQUENTIAL, RESULTING FROM USE OF THESE DRAWINGS IN CONNECTION WITH EQUIPMENT WHICH DOES NOT COMPLY IN ALL RESPECTS WITH THE MANUFACTURER'S ORIGINAL SPECIFICATIONS.

THIS DRAWING IS THE PROPERTY OF INDUSTRIAL COMBUSTION, L.L.C.  
 IT IS SUBJECT TO CHANGE WITHOUT NOTICE, AND IS NOT TO BE COPIED OR USED IN ANY WAY DETRIMENTAL TO THE COMPANY.

NOTE: EACH MOTOR IS TO BE FUSED SEPARATELY (BY OTHERS).  
 SEE CONTACTOR/STARTER FOR ANY SPECIFIC REQUIREMENTS.



731-15347	REVISIONS	WIRE COLOR	SYMBOL	WIRE ALL CIRCUITS N.E.C. CLASS 1 - NOT RESPONSIBLE FOR WIRING NOT INSTALLED AT THE FACTORY.	SCALE	* OPTIONAL EQUIPMENT NOT FURNISHED UNLESS SPECIFIED IN CONTRACT.
		YELLOW	Y		DATE	
		ORANGE	O		01/02/08	
		RED	R		DRAWN	
		BLUE	BL		D.B.P.	
		WHITE	W			
		BLACK	B			

731-15347	WIRE COLOR	SYMBOL	WIRE ALL CIRCUITS N.E.C. CLASS 1 - NOT RESPONSIBLE FOR WIRING NOT INSTALLED AT THE FACTORY.	SCALE	* OPTIONAL EQUIPMENT NOT FURNISHED UNLESS SPECIFIED IN CONTRACT.
	YELLOW	Y		DATE	
	ORANGE	O		01/02/08	
	RED	R		DRAWN	
	BLUE	BL		D.B.P.	
	WHITE	W			
	BLACK	B			

KLG-30, 34  
 LV-120-240/1/60  
 CC-120/1/60

INDUSTRIAL COMBUSTION, L.L.C.  
 SIZE D DRWG. NO. 731-15347 00

731-15347-00